

Pull tight Aluminum cable seals



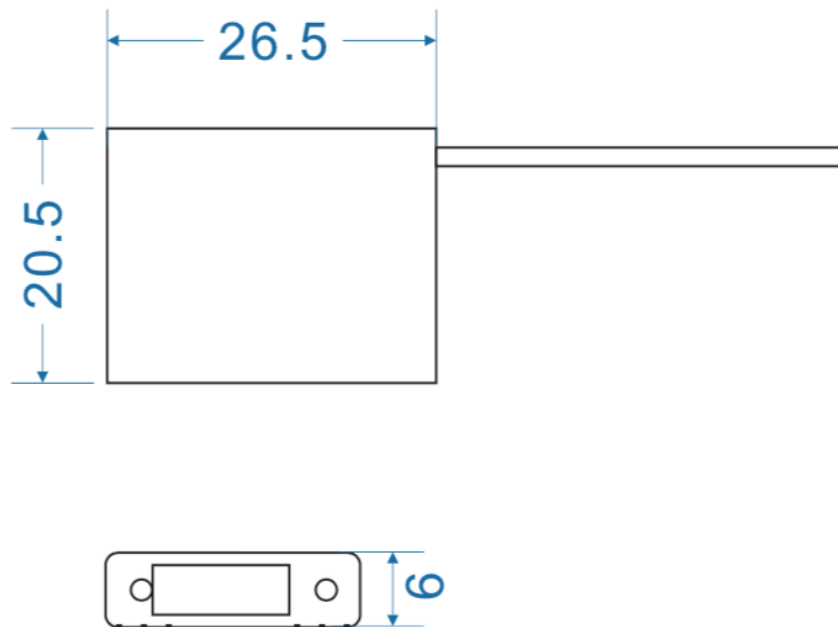
Seal Classification

- + Security Seal
- + Load to Failure: >280kgs

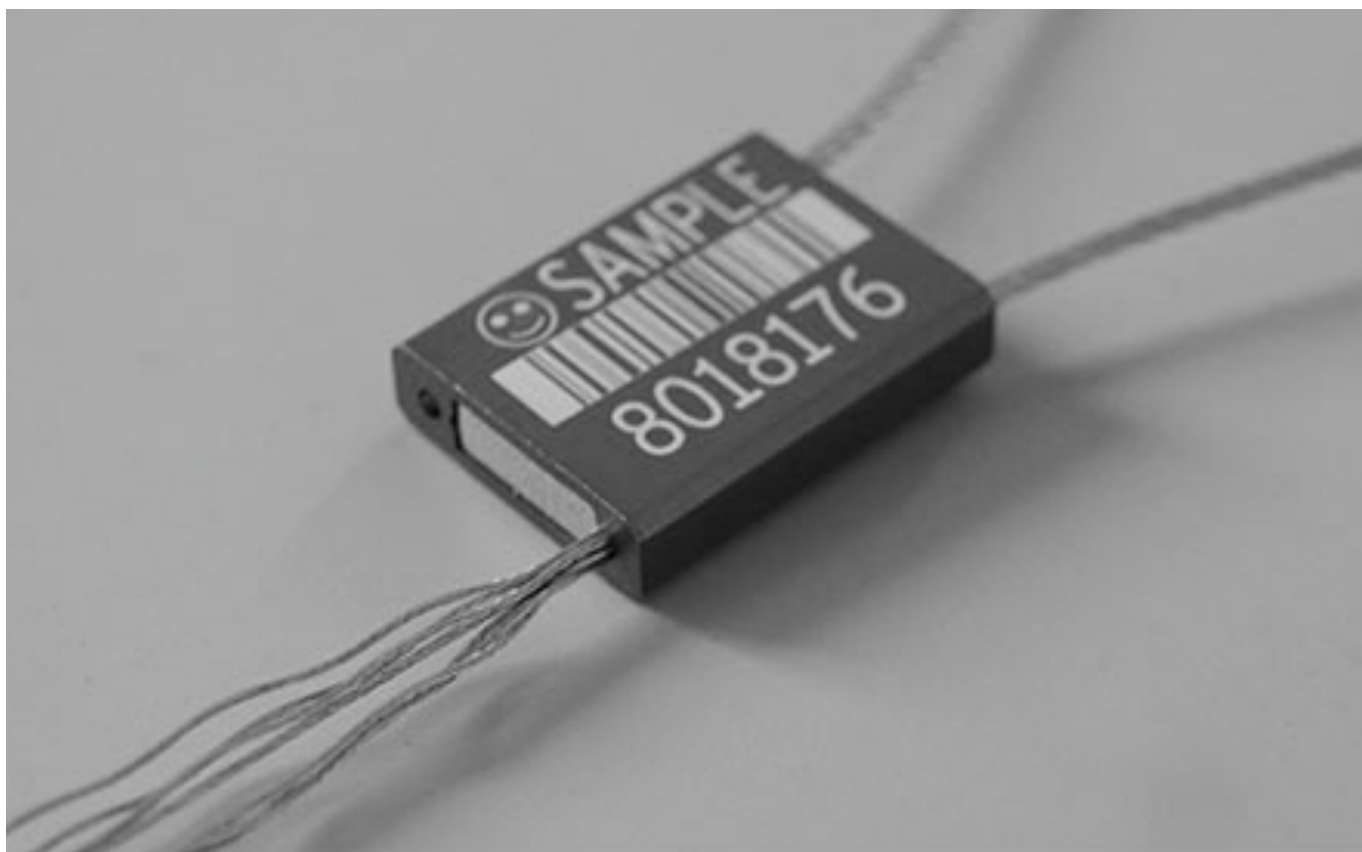
Material

- + Galvanized NPC Cable \varnothing 1.5/2.5mm and 300mm long.
- + Any length is available.
- + Lock housing: Aluminum
- + Four metal wheel locks insert

Pull tight Aluminum cable seals



Pull tight Aluminum cable seals



The NPC wire is auto-scattered after cutting.

Pull tight Aluminum cable seals



Printing

- + Laser engraving or pressing.
- + Company Logo/Name
- + Sequential number
- + Bar code /Data Matrix is also available

Production standard

- + ISO 17712/PAS
- + ISO 9001: 2015

Lighting and Innovative Solutions Enterprise Srl

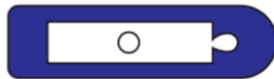
Sede Legale: Via Quintino Sella, 2
67052 Balsorano (AQ) - Italia
Sede Operativa: Largo dei Banderari, 1
05100 Terni (TR) - Italia
P. Iva/CF: IT 01962300669 - Rea: TR - 107002
Tel: +39 (0744) 421987

Lighting and Innovative Solutions Enterprise Srl

Head Quarter: Via Quintino Sella, 2
67052 Balsorano (AQ) - Italia
Operation Plant: Largo dei Banderari, 1
05100 Terni (TR) - Italia
P. Iva/CF: IT 01962300669 - Rea: TR - 107002
Tel: +39 (0744) 421987

Pull tight Aluminum cable seals

We can make the rotor in the following colors:



Pull tight Aluminum cable seals



Package

- + 250pcs per inner box
- + 1000pcs per outer carton
- + Net weight: 17,5kgs (no wire)
- + Gross weight: 18,5kgs
- + Measure: 370*310*240mm

Lighting and Innovative Solutions Enterprise Srl

Sede Legale: Via Quintino Sella, 2
67052 Balsorano (AQ) - Italia
Sede Operativa: Largo dei Banderari, 1
05100 Terni (TR) - Italia
P. Iva/CF: IT 01962300669 - Rea: TR - 107002
Tel: +39 (0744) 421987



Lighting and Innovative Solutions Enterprise Srl

Head Quarter: Via Quintino Sella, 2
67052 Balsorano (AQ) - Italia
Operation Plant: Largo dei Banderari, 1
05100 Terni (TR) - Italia
P. Iva/CF: IT 01962300669 - Rea: TR - 107002
Tel: +39 (0744) 421987